

CRS08

PRV : 30 Volts
I_o : 1.5 Ampere

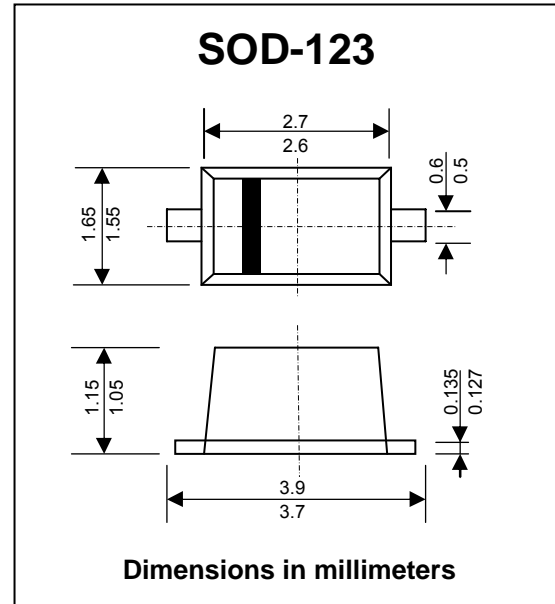
FEATURES :

- * Small package
- * High current capability
- * High surge current capability
- * High reliability
- * Low forward voltage drop
- * Pb / RoHS Free

MECHANICAL DATA :

- * Case : SOD-123
- * Weight : 0.01 gram (approximately)

SCHOTTKY BARRIER RECTIFIER DIODE



ABSOLUTE MAXIMUM RATINGS (T_a = 25 °C)

RATING	SYMBOL	VALUE	UNIT
Maximum Peak Repetitive Reverse Voltage	V _{RRM}	30	V
Maximum Average Forward Current (T _L = 86 °C)	I _{F(AV)}	1.5	A
Maximum One Cycle Surge Forward Current ,(50Hz) (Non-repetitive)	I _{FSM}	30	A
Junction Temperature Range	T _J	- 40 to + 125	°C
Storage Temperature Range	T _{STG}	- 40 to + 150	°C

ELECTRICAL CHARACTERISTICS (T_a = 25 °C)

RATING	SYMBOL	Min.	Typ.	Max.	UNIT
Peak Forward Voltage	V _F	-	0.230	-	V
at I _F = 0.1 A		-	0.320	-	
at I _F = 1.0 A		-	0.345	0.360	
Repetitive Peak Reverse Current	I _R	at V _{RRM} = 5 V	-	50	μA
		at V _{RRM} = 30 V	-	-	1.0
Junction Capacitance (V _R = 10 V, f = 1 MHz)	C _J	-	90	-	pF
Thermal Resistance Junction to Ambient	R _{θJA}	-	-	70 ⁽¹⁾	°C/W
		-	-	140 ⁽²⁾	
Thermal Resistance Junction to Lead	R _{θJL}	-	-	20	°C/W

Notes :

- (1) Device mounted on a ceramic board (soldering land:2 mm x 2 mm).
- (2) Device mounted on a glass-epoxy board (soldering land:6 mm x 6 mm).

RATING AND CHARACTERISTIC CURVES (CRS08)

FIG.1 - AVERAGE FORWARD CURRENT VS. LEAD TEMPERATURE

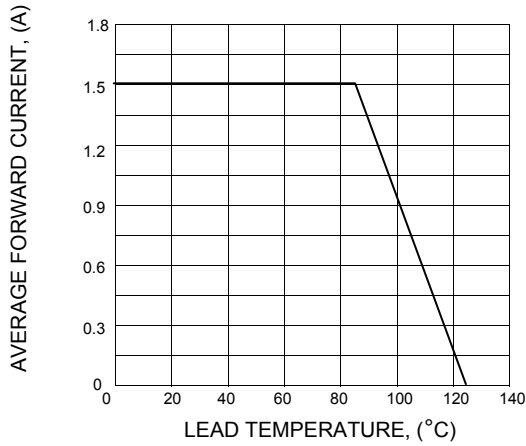


FIG.2 - MAXIMUM NON-REPETITIVE PEAK FORWARD SURGE CURRENT

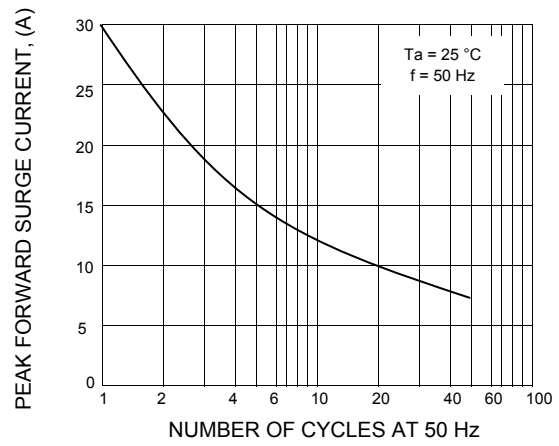


FIG.3 - FORWARD CURRENT VS. FORWARD VOLTAGE

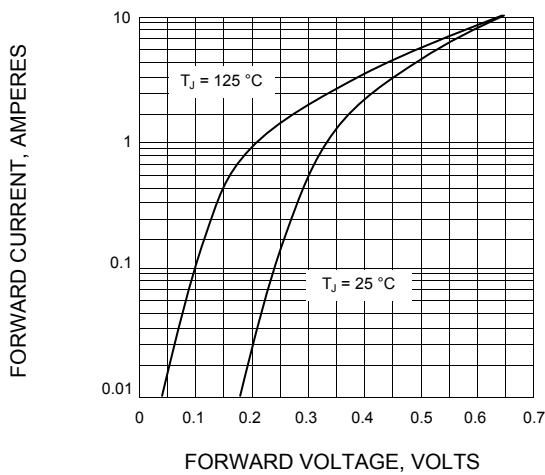


FIG.4 - REVERSE CURRENT VS. JUNCTION TEMPERATURE

