

ERD07-13 ~ ERD07-15

SILICON RECTIFIER DIODES / DAMPER

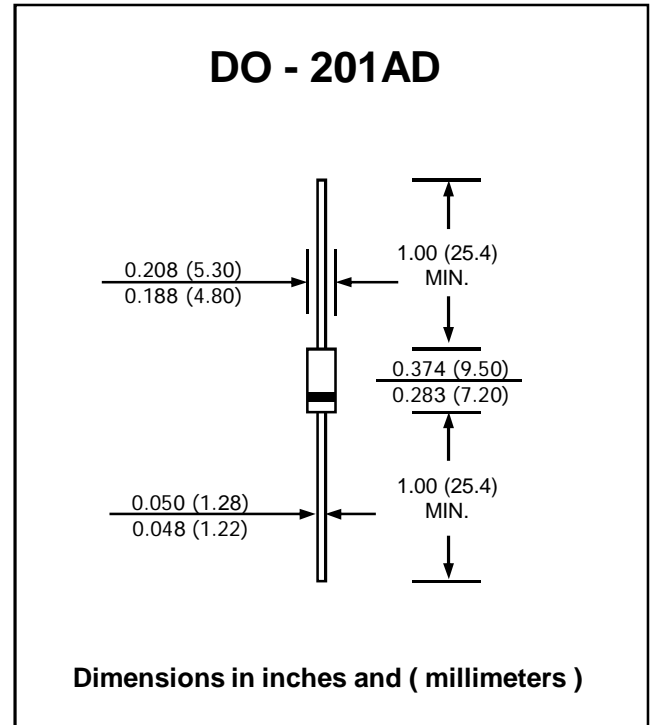
PRV : 1300 - 1500 Volts
Io : 1.5 Ampere

FEATURES :

- * High current capability
- * High surge current capability
- * High reliability
- * Low reverse current
- * Low forward voltage drop
- * Fast switching for high efficiency
- * Pb / RoHS Free

MECHANICAL DATA :

- * Case : DO-201AD Molded plastic
- * Epoxy : UL94V-O rate flame retardant
- * Lead : Axial lead solderable per MIL-STD-202, Method 208 guaranteed
- * Polarity : Color band denotes cathode end
- * Mounting position : Any
- * Weight : 1.21 grams



MAXIMUM RATINGS AND ELECTRICAL CHARACTERISTICS

Rating at 25 °C ambient temperature unless otherwise specified.
Single phase, half wave, 60 Hz, resistive or inductive load.
For capacitive load, derate current by 20%.

RATING	SYMBOL	ERD07-13	ERD07-15	UNIT
Maximum Repetitive Peak Reverse Voltage	VRRM	1300	1500	V
Maximum Average Forward Current , TL = 125 °C	IF(AV)	1.5		A
Maximum Peak Forward Surge Current (Sine wave, 10 ms)	IFSM	50		A
Maximum Forward Voltage at IF = 4 A	VF	1.2		V
Maximum Reverse Current at VRRM	IRRM	10		μA
Maximum Reverse Recovery Time (Note 1)	Trr	1.5		μs
Junction Temperature Range	TJ	- 40 to + 150		°C
Storage Temperature Range	TSTG	- 40 to + 150		°C

Note :

(1) Reverse Recovery Test Conditions : IF = 100 mA, IR = 100 mA.

RATING AND CHARACTERISTIC CURVES (ERD07-13 ~ ERD07-15)

FIG.1 - REVERSE RECOVERY TIME CHARACTERISTIC AND TEST CIRCUIT DIAGRAM

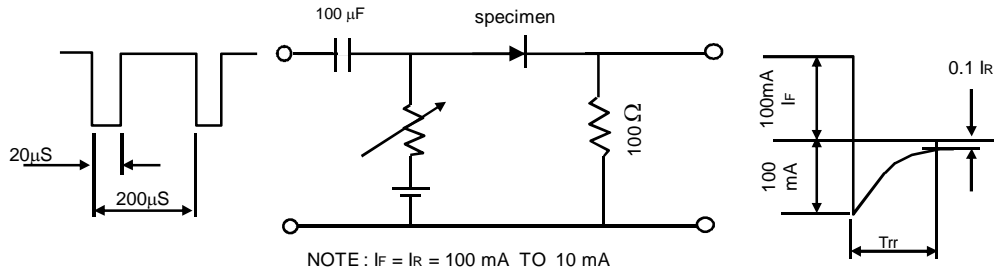


FIG.2 - DERATING CURVE FOR OUTPUT RECTIFIED CURRENT

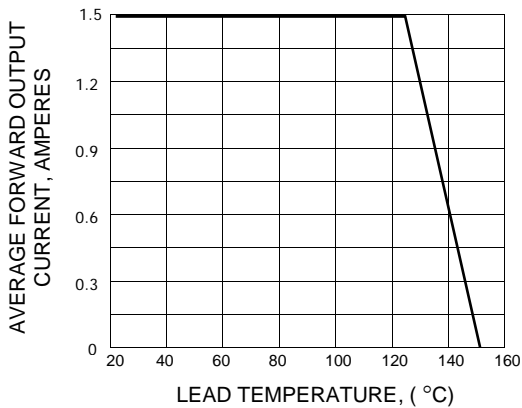


FIG.3 - MAXIMUM NON-REPETITIVE PEAK FORWARD SURGE CURRENT

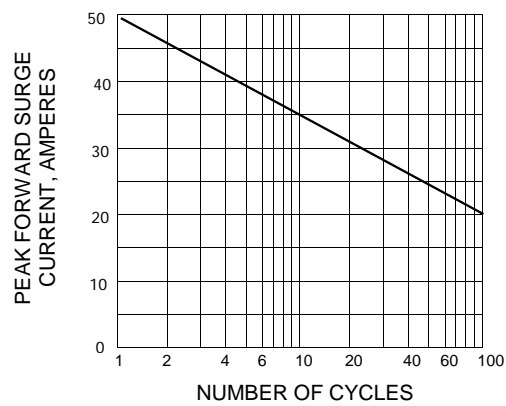


FIG.4 - TYPICAL FORWARD CHARACTERISTICS

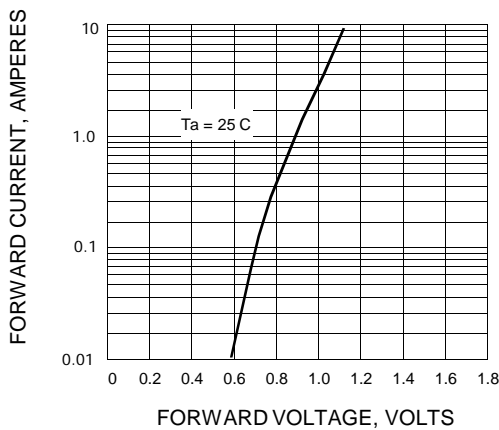


FIG.5 - TYPICAL REVERSE CHARACTERISTICS

