

GN2S

GLASS PASSIVATED JUNCTION SILICON SURFACE MOUNT

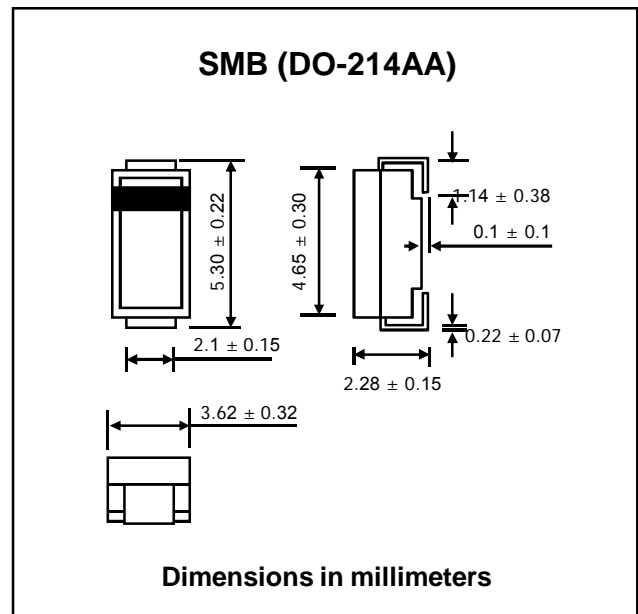
PRV : 700 Volts
Io : 1.25 Amperes

FEATURES :

- * Glass passivated chip
- * High current capability
- * High reliability
- * Low reverse current
- * Low forward voltage drop
- * Pb / RoHS Free

MECHANICAL DATA :

- * Case : SMB Molded plastic
- * Epoxy : UL94V-0 rate flame retardant
- * Lead : Lead Formed for Surface Mount
- * Polarity : Color band denotes cathode end
- * Mounting position : Any
- * Weight : 0.1079 gram



MAXIMUM RATINGS AND ELECTRICAL CHARACTERISTICS

Rating at 25 °C ambient temperature unless otherwise specified. Single phase, half wave, 60 Hz, resistive or inductive load.

For capacitive load, derate current by 20%.

RATING	SYMBOL	VALUE	UNIT
Maximum Repetitive Peak Reverse Voltage	V_{RRM}	700	V
Maximum RMS Voltage	V_{RMS}	490	V
Maximum DC Blocking Voltage	V_{DC}	700	V
Minimum Average Output Forward Current	I_O	$T_a = 25\text{ °C}$	1.25
		$T_c = 55\text{ °C}$	3.75
Peak Forward Surge Current 8.3ms Single half sine wave Superimposed on rated load (JEDEC Method)	I_{FSM}	80	A
Maximum Forward Voltage at $I_F = 2.0\text{ A}$, $T_c = 25\text{ °C}$	V_F	1.0	V
Maximum DC Reverse Current at rated DC Blocking Voltage	I_R	2.0	μA
	$I_{R(H)}$	20	μA
Typical Junction Capacitance (Note1)	C_J	75	pF
Junction Temperature Range	T_J	- 65 to + 150	°C
Storage Temperature Range	T_{STG}	- 65 to + 150	°C

Note : (1) Measured at 1.0 MHz and applied reverse voltage of 4.0VDC