



## Packaging Information

Case Type	Packaging	Quantity per unit (Pcs.)	Package size [ mm. (inches) ]	Quantity per carton (Pcs.)	Net weight per carton (Kgs.)	Gross weight per carton (Kgs.)	Carton size [ mm. (inches) ]
R-1	BULK	1,000	200x84x20 (7.87x3.31x0.79)	50,000	10.00	12.65	215x450x240 (8.46x17.71x9.45)
	TAPE & AMMO (26 mm)	3,000	45x255x78 (2.76x10.0x4.72)	39,000	5.30	7.30	260x370x150 (10.24x14.57x5.90)
	TAPE & AMMO(52 mm)	5,000	70x250x135 (2.76x10.0x)	25,000	5.00	6.00	260x370x150 (10.24x14.57x5.90)
DO-34 (Glass)	BULK	2,000	200x84x20 (7.87x3.31x0.79)	100,000	9.30	11.75	215x450x240 (8.46x17.71x9.45)
	TAPE & REEL	10,000	φ 330x81 (φ 12.992x3.189)	40,000	3.72	6.45	340x340x325 (13.39x13.39x12.79)
	TAPE & AMMO (26 mm)	5,000	45x255x78 (1.77x10.04x3.07)	65,000	5.30	6.30	260x370x150 (10.24x14.57x5.90)
	TAPE & AMMO (52 mm)	10,000	70x250x120 (2.76x10.0x4.72)	50,000	4.65	6.05	260x370x150 (10.24x14.57x5.90)
	BAG(500Pcs) & BULK	5,000	115x155x45 (4.53x6.10x1.78)	100,000	9.30	11.00	250x325x240 (9.84x12.80x9.45)
DO-35 (Glass)	BULK	2,000	200x84x20 (7.87x3.31x0.79)	100,000	12.70	15.10	215x450x240 (8.46x17.71x9.45)
	TAPE & REEL	10,000	φ 330x81 (φ 12.992x3.189)	40,000	5.08	7.80	340x340x325 (13.39x13.39x12.79)
	TAPE & AMMO (26 mm)	5,000	45x255x78 (1.77x10.04x3.07)	65,000	6.20	8.00	260x370x150 (10.24x14.57x5.90)
	TAPE & AMMO (52 mm)	10,000	70x250x120 (2.76x10.0x4.72)	50,000	6.35	7.75	260x370x150 (10.24x14.57x5.90)
	BAG(500Pcs) & BULK	5,000	92x170x50 (3.62x6.69x1.97)	100,000	12.70	14.60	185x395x285 (7.28x15.55x11.22)
DO-41 (Glass)	TAPE & REEL	5,000	φ 330x81 (φ 12.992x3.189)	20,000	5.10	7.30	340x340x325 (13.39x13.39x12.79)
	TAPE & AMMO (26 mm)	2,500	45x255x78 (1.77x10.04x3.07)	32,500	6.40	8.00	260x370x150 (10.24x14.57x5.90)
	TAPE & AMMO (52 mm)	5,000	70x250x120 (2.76x10.0x4.72)	25,000	6.38	7.45	260x370x150 (10.24x14.57x5.90)
	BAG(250Pcs) & BULK	2,500	92x170x50 (4.62x6.69x1.97)	50,000	12.75	14.65	250x325x240 (9.84x12.80x9.45)
DO-41	BULK	1,000	200x84x20 (7.87x3.31x0.79)	50,000	16.75	19.20	215x450x240 (8.46x17.71x9.45)
	TAPE & REEL	5,000	φ 330x81 (φ 12.992x3.189)	20,000	6.70	9.20	340x340x325 (13.39x13.39x12.78)
	TAPE & AMMO (26 mm)	2,000	45x255x78 (1.77x10.04x3.07)	26,000	5.90	7.00	260x370x150 (10.24x14.57x5.90)
	TAPE & AMMO (52 mm)	4,000	70x250x135 (2.76x10.0x5.32)	20,000	6.70	7.70	260x370x150 (10.24x14.57x5.90)
	TAPE & AMMO 120	3,000	70x250x120 (2.76x10.0x4.72)	15,000	5.03	5.90	260x370x140 (10.24x14.57x5.51)
	BAG(200Pcs) & AMMO	5,000	70x250x135 (2.76x10.0x5.32)	25,000	8.38	9.30	260x370x150 (10.24x14.57x5.90)
	BULK ( Zener GS )	1,000	200x84x20 (7.87x3.31x0.79)	50,000	16.80	18.75	215x450x230 (8.46x17.71x9.05)
D2	BULK	500	200x84x20 (7.87x3.31x0.79)	25,000	11.75	14.35	215x450x240 (8.46x17.71x9.45)
	TAPE & REEL	3,000	φ 330x81 (φ 12.992x3.189)	12,000	5.64	7.75	340x340x325 (13.39x13.39x12.80)
	TAPE & AMMO	2,000	70x250x135 (2.76x10.0x5.32)	10,000	4.70	5.65	260x370x150 (10.24x14.57x5.90)



## Packaging Information

Case Type	Packaging	Quantity per unit (Pcs.)	Package size [ mm. (inches) ]	Quantity per carton (Pcs.)	Net weight per carton (Kgs.)	Gross weight per carton (Kgs.)	Carton size [ mm. (inches) ]
D2	TAPE & AMMO 120	1,500	70x25x120 (2.76x10.0x4.72)	7,500	3.50	4.30	260x370x140 (10.24x14.57x5.51)
	BAG(100Pcs) & AMMO	2,500	70x250x135 (2.76x10.0x5.32)	12,500	5.88	6.85	260x370x150 (10.24x14.57x5.90)
D2A	BULK	500	200x84x20 (7.87x3.31x0.79)	25,000	15.95	18.55	215x450x240 (8.46x17.71x9.45)
	TAPE & REEL	3,000	φ 330x81 (φ 12.992x3.189)	12,000	7.66	9.75	340x340x325 (13.39x13.39x12.80)
	TAPE & AMMO	2,000	70x250x135 (2.76x10.0x5.32)	10,000	6.38	7.30	260x370x150 (10.24x14.57x5.90)
	BAG (100Pcs) & AMMO	2,500	70x250x135 (2.76x10.0x5.32)	12,500	7.98	8.95	260x370x150 (10.24x14.57x5.90)
DO-201	BULK	500	302x80x40 (11.89x3.15x1.58)	15,000	13.94	16.65	310x420x255 (12.20x16.54x10.04)
	TAPE & REEL	1,250	φ 330x81 (φ 12.992x3.189)	5,000	4.65	6.70	340x340x325 (13.39x13.39x12.80)
	TAPE & AMMO	1,000	70x250x135 (2.76x10.0x5.32)	5,000	4.65	5.60	260x370x150 (10.24x14.57x5.90)
	BAG (50Pcs) & AMMO	1,500	70x250x135 (2.76x10.0x5.32)	7,500	6.98	8.00	260x370x150 (10.24x14.57x5.90)
DO-201AD	BULK	500	302x80x40 (11.89x3.15x1.58)	15,000	17.22	19.95	310x420x255 (12.20x16.54x10.04)
	TAPE & REEL	1,250	φ 330x81 (φ 12.992x3.189)	5,000	5.74	7.80	340x340x325 (13.39x13.39x12.80)
	TAPE & AMMO	1,000	70x250x135 (2.76x10.0x5.32)	5,000	5.74	9.70	260x370x150 (10.24x14.57x5.90)
	BAG(50Pcs) & AMMO	1,500	70x250x135 (2.76x10.0x5.32)	7,500	8.60	9.60	260x370x150 (10.24x14.57x5.90)
D6	BULK	200	302x80x40 (11.89x3.15x1.58)	6,000	12.29	15.00	310x420x255 (12.20x16.54x10.04)
	TAPE & REEL	800	φ 330x81 (φ 12.992x3.189)	3,200	6.56	8.45	340x340x325 (13.39x13.39x12.80)
MiniMELF	REEL	3,000	φ 178x14.4 (φ 7.008x0.567)	120,000	3.72	6.90	215x405x265 (8.46x15.95x10.43)
	REEL	10,000	φ 330x14.4 (φ 12.992x0.567)	50,000	1.55	2.85	340x340x100 (13.39x13.39x3.94)
MELF	REEL	5,000	φ 330x14.4 (φ 12.992x0.567)	25,000	3.35	4.55	340x340x100 (13.39x13.39x3.94)
SOD-323	REEL	10,000	φ 330x14.4 (φ 12.992x0.567)	50,000	1.75	3.05	340x340x100 (13.39x13.39x3.94)
SMA(DO-214AD)	REEL	5,000	φ 330x18.4 (φ 12.992x0.724)	25,000	1.68	2.90	340x340x100 (13.39x13.39x3.94)
SMB(DO-214AA)	REEL	3,000	φ 330x18.4 (φ 12.992x0.724)	15,000	1.76	3.05	340x340x100 (13.39x13.39x3.94)
SMC(DO-214AB)	REEL	2,500	φ 330x22.4 (φ 12.992x0.882)	10,000	2.51	3.65	340x340x100 (13.39x13.39x3.94)
DFS	REEL	1,500	φ 330x22.4 (φ 12.992x0.882)	7,500	2.85	4.45	340x340x100 (13.39x13.39x3.94)
MBS	REEL	2,500	φ 330x22.4 (φ 12.992x0.882)	15,000	1.28	2.45	340x340x100 (13.39x13.39x3.94)



## Packaging Information

Case Type	Quantity per box (Pcs.)	Box size [ mm. (inches) ]	Quantity per carton (Pcs.)	Net weight per carton (Kgs.)	Gross weight per carton (Kgs.)	Carton size [ mm. (inches) ]
WOB	500	200x84x20 (7.87x7.87x1.85)	5,000	6.26	8.00	215x405x265 (8.46x15.95x10.43)
KBP	100	90x170x52 (3.54x6.69x1.97)	2,000	6.52	8.70	185x395x285 (7.28x15.55x11.22)
KBL	100	90x170x52 (3.54x6.69x1.97)	2,000	11.61	13.80	185x395x285 (7.28x15.55x11.22)
GBU	160	115x115x45 (4.53x6.10x1.77)	3,200	11.50	13.20	250x325x240 (9.84x12.80x9.45)
BR6	200	160x210x38 (6.30x8.27x1.50)	2,000	7.18	8.60	215x345x225 (8.46x13.58x8.86)
BR10	200	200x200x47 (7.87x7.87x1.85)	2,000	11.45	13.20	215x405x265 (8.46x15.95x10.43)
BR50	50	155x165x30 (6.10x6.50x1.18)	1,000	16.55	18.65	180x330x345 (7.09x12.99x13.58)
BR50W	40	155x165x30 (6.10x6.50x1.18)	800	12.52	14.60	180x330x345 (7.09x12.99x13.58)
RBV4	120	115x155x45 (4.53x6.10x1.77)	2,400	10.27	12.10	250x325x240 (9.84x12.80x9.45)
RBV25	100	115x155x45 (4.53x6.10x1.77)	2,000	15.60	17.40	250x325x240 (9.84x12.80x9.45)
BUTTON CASE	2,000	72x255x120 (2.83x10.04x4.72)	10,000	18.18	19.00	260x370x140 (10.24x14.57x5.51)
AR-L	200	305x84x41 (12.0x3.30x1.61)	6,000	16.39	19.10	310x420x255 (12.20x16.54x10.04)
MR	2,000	72x255x120 (2.83x10.04x4.72)	10,000	16.10	16.80	260x370x140 (10.24x14.57x5.51)
MR-L	200	305x84x41 (12.0x3.30x1.61)	6,000	15.31	18.00	310x420x255 (12.20x16.54x10.04)
DFM	50	440 Length (17.4 Length)	Plastic Tubes			
MBM	100	70x250x135	Plastic Tubes			
TO-220AB, AC	50	Tube 32x520x6 (1.23x20.52x0.24)	1,000	1.95	2.81	140x540x85 (5.51x21.26x3.35)
	500	160x210x38 (6.50x8.27x1.50)	5,000	9.39	10.80	250x325x240 (9.84x12.80x9.45)
ITO-220AB, AC	50	Tube 32x520x6 (1.23x20.52x0.24)	1,000	1.75	2.60	140x540x85 (5.51x21.26x3.35)
	500	160x210x38 (6.30x8.27x1.50)	5,000	8.75	10.15	250x325x240 (9.84x12.80x9.45)
TO-247AD	120	90x170x52 (3.54x6.69x1.97)	2,400	15.08	17.35	185x395x285 (7.28x15.55x11.22)
D <sup>2</sup> PAK	50	Tube 32x520x6 (1.23x20.52x0.24)	1,000	1.44	2.30	140x540x85 (5.51x21.26x3.35)
CELL 3A	10,000	Bottle $\phi$ 70x120 ( $\phi$ 2.76x4.72)	100,000	9.20	10.00	260x370x150 (10.24x14.57x5.90)
CELL 5A	10,000	Bottle $\phi$ 70x120 ( $\phi$ 2.76x4.72)	100,000	15.40	16.20	260x370x150 (10.24x14.57x5.90)
CELL 8A	5,000	Bottle $\phi$ 70x120 ( $\phi$ 2.76x4.72)	50,000	9.75	10.55	260x370x150 (10.24x14.57x5.90)
CELL 18A	5,000	Bottle $\phi$ 70x120 ( $\phi$ 2.76x4.72)	50,000	12.15	12.95	260x370x150 (10.24x14.57x5.90)
CELL 25A	5,000	Bottle $\phi$ 70x120 ( $\phi$ 2.76x4.72)	50,000	12.55	13.35	260x370x150 (10.24x14.57x5.90)



## Packaging Information

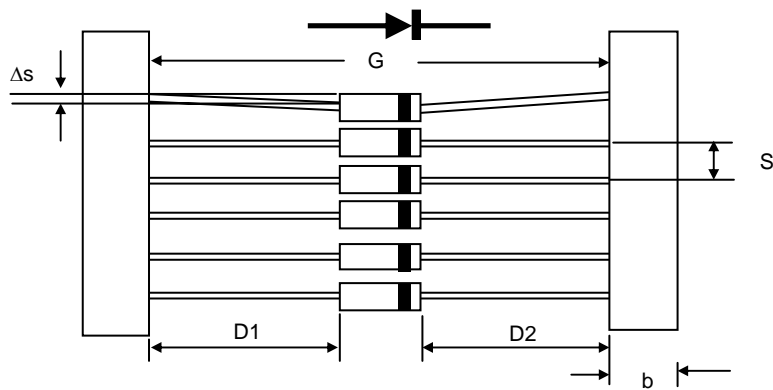
Package	Tape Width	Pitch		Reel Size		Devices Per Reel and Minimum Order Quantity
	(mm)	(mm)	(inch)	(mm)	(inch)	(Pcs.)
SOT-23	8	4.0 ± 0.1	0.157 ± 0.004	178	7	3,000
SOD-123	8	4.0 ± 0.1	0.157 ± 0.004	178	7	3,000
SOD-323	8	4.0 ± 0.1	0.157 ± 0.004	178	7	3,000
SOD-523	8	4.0 ± 0.1	0.157 ± 0.004	178	7	4,000



## Packaging Information

### TYPE DIMENSIONS (AXIAL LEAD DIODES)

CASE TYPE (Outline)	Type Dimensions			
	S	$\Delta s$	b	G
DO-34, DO-35, DO-41 (Glass), DO-41 (Plastic), R-1, D2, D2A	$5 \pm 0.5$ (0.196 $\pm$ 0.0196)	1.2(0.047)	$6 \pm 1.05$ (0.236 $\pm$ 0.039)	$52 \pm 1.50$ (2.047 $\pm$ 0.059)
DO-34, DO-35, DO-41 (Glass), DO-41 (Plastic), D2, D2A	$5 \pm 0.5$ (0.196 $\pm$ 0.0196)	1.2(0.047)	$6 \pm 1.05$ (0.236 $\pm$ 0.039)	$26 \pm 1.0$ (1.023 $\pm$ 0.039)
DO-201, DO-201AD, D6	$10 \pm 0.5$ (0.393 $\pm$ 0.0196)	1.2(0.047)	$6 \pm 1.05$ (0.236 $\pm$ 0.039)	$52 \pm 1.50$ (2.047 $\pm$ 0.059)

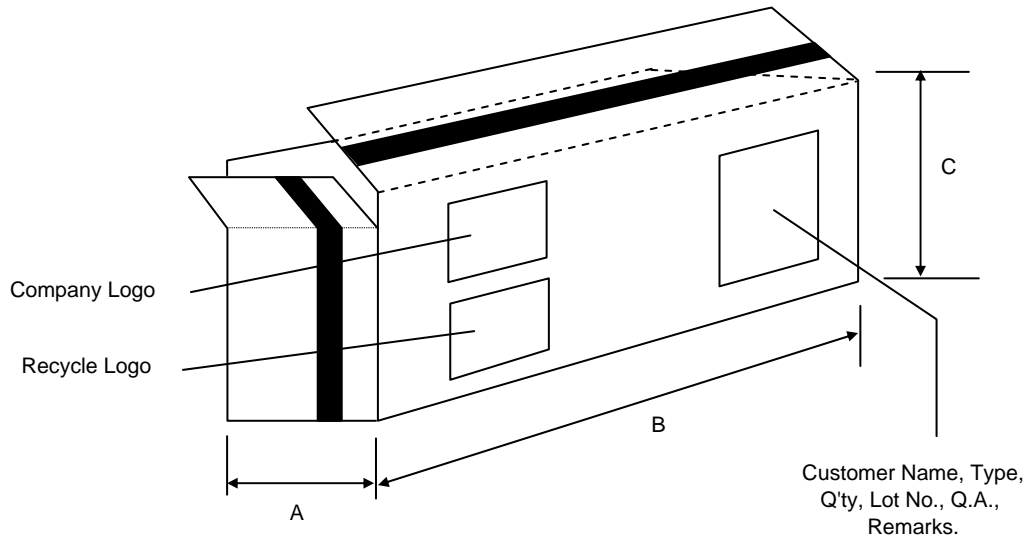


$$|D1 - D2| = 1.4 (0.055) \text{ max.}$$



## Packaging Information

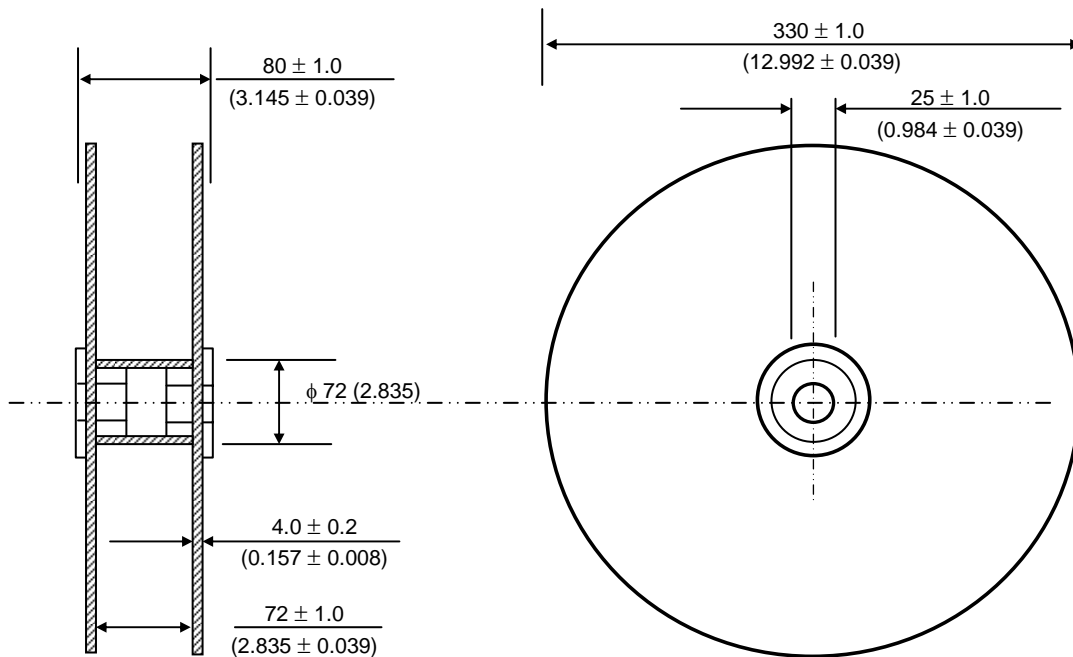
### AMMOPACK PACKAGING (AXIAL LEAD DIODES)



Packaging	Type Dimensions [ mm. (inches) ]		
	Dimension "A"	Dimension "B"	Dimension "C"
26mm Horizontal	$44 \pm 2.0$ (1.732 $\pm$ 0.079)	$247 \pm 2.0$ (9.725 $\pm$ 0.079)	$135 \pm 2.0$ (5.32 $\pm$ 0.079)
52mm Horizontal	$70 \pm 2.0$ (2.756 $\pm$ 0.079)	$250 \pm 2.0$ (9.842 $\pm$ 0.079)	$135 \pm 2.0$ (5.32 $\pm$ 0.079)

### REEL PACKAGING (AXIAL LEAD DIODES)

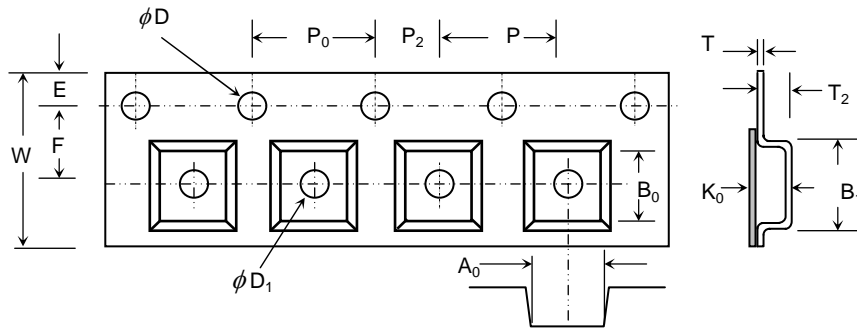
*DIMENSIONS IN mm. (inches)*





# Packaging Information

## SURFACE MOUNT TAPE AND REEL PACKAGING



DIMENSIONS IN mm. (inches)

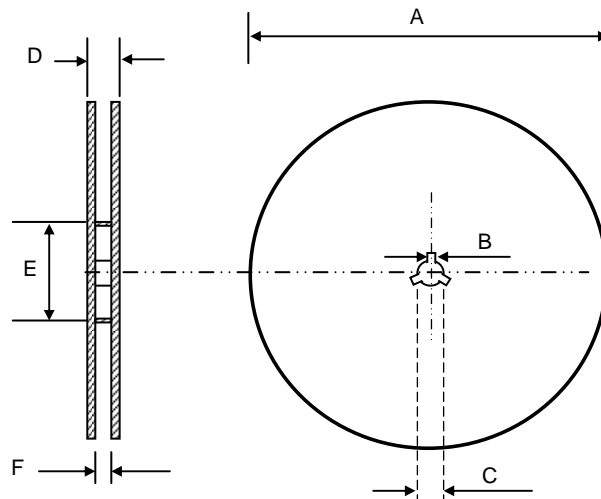
	Tape Size	D	E	P <sub>0</sub>	T Max.	A <sub>0</sub> , B <sub>0</sub> , K <sub>0</sub>	P <sub>2</sub>
	8, 12, 16mm.	1.50 ± 0.10 (0.059 ± 0.004)	1.75 ± 0.1 (0.069 ± 0.004)	4.00 ± 0.1 (0.157 ± 0.004)	0.600 (0.024)	See Note 1	2.00 ± 0.05 (0.079 ± 0.002)
Case Type	Tape Size	W	P	B <sub>1</sub> Max.	F	T <sub>2</sub> Max.	D <sub>1</sub>
<b>MiniMELF, SOD-323</b>	8mm.	8.00 ± 0.3 (0.314 ± 0.012)	4.00 ± 0.1 (0.157 ± 0.004)	4.2(0.165)	3.50 ± 0.05 (0.137 ± 0.002)	2.4(0.094)	1.00 ± 0.10 (0.039 ± 0.004)
<b>MELF</b>	12mm.	12.00 ± 0.3 (0.472 ± 0.012)	4.00 ± 0.1 (0.157 ± 0.004)	8.2(0.323)	5.50 ± 0.05 (0.217 ± 0.002)	4.5(0.177)	1.50 ± 0.25 (0.059 ± 0.001)
<b>SMA</b>	12mm.	12.00 ± 0.3 (0.472 ± 0.012)	4.00 ± 0.1 (0.157 ± 0.004)		5.50 ± 0.05 (0.217 ± 0.002)	2.54 ± 0.10 (0.100 ± 0.004)	1.50 ± 0.25 (0.059 ± 0.001)
<b>SMB</b>	12mm.	12.00 ± 0.3 (0.472 ± 0.012)	8.00 ± 0.1 (0.315 ± 0.004)		5.50 ± 0.05 (0.217 ± 0.002)	2.67 ± 0.10 (0.105 ± 0.004)	1.50 ± 0.25 (0.059 ± 0.001)
<b>SMC, MBS</b>	16mm.	16.00 ± 0.3 (0.629 ± 0.012)	8.00 ± 0.1 (0.315 ± 0.004)	12.1(0.476)	7.50 ± 0.1 (0.295 ± 0.004)	2.5 ± 0.10 (0.100 ± 0.004)	1.50 ± 0.25 (0.059 ± 0.001)
<b>DFS</b>	16mm.	16.00 ± 0.3 (0.629 ± 0.012)	12.00 ± 0.1 (0.473 ± 0.004)		7.50 ± 0.1 (0.295 ± 0.004)	3.8 ± 0.10 (0.150 ± 0.004)	1.50 ± 0.25 (0.059 ± 0.001)

**Note:**

1. A<sub>0</sub>, B<sub>0</sub>, and K<sub>0</sub> are determined by the maximum dimensions of the component size. The clearance between the component and the cavity must be within 0.05 mm (0.002") min. to 0.5 mm (0.02") max. for 8mm tape and 12mm tape and 0.15mm(0.066") min. to 0.90 mm (0.035") max. for 16 mm. tape.

## Packaging Information

### REEL PACKAGING (SURFACE MOUNT DIODES)



*DIMENSIONS IN mm. (inches)*

Tape Size	A max.	B max.	C	D max.	E min.	F max.
8 mm	$178 \pm 2.0$ ( $7.0 \pm 0.079$ )	2.5	$13.0 \pm 2.0$	14.4	100	9.9
	$330 \pm 2.0$ ( $13 \pm 0.079$ )	(0.098)	( $0.51 \pm 0.079$ )	(0.567)	(3.94)	(0.389)
12 mm	$330 \pm 2.0$ ( $13 \pm 0.079$ )	2.5	$13.0 \pm 2.0$	18.4	100	14.4
		(0.098)	( $0.51 \pm 0.079$ )	(0.724)	(3.94)	(0.567)
16 mm	$330 \pm 2.0$ ( $13 \pm 0.079$ )	2.5	$13.0 \pm 2.0$	22.4	100	18.4
		(0.098)	( $0.51 \pm 0.079$ )	(0.802)	(3.94)	(0.724)